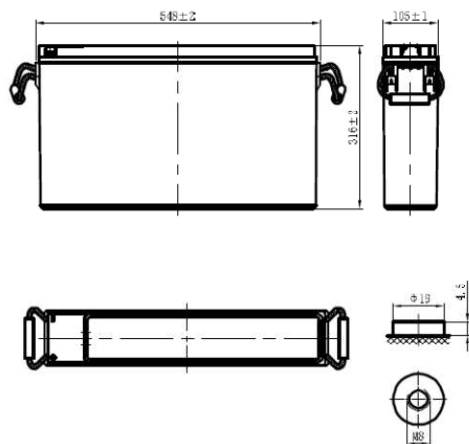


# OGiV 121500 FT (12V 150Ah Front Terminal)

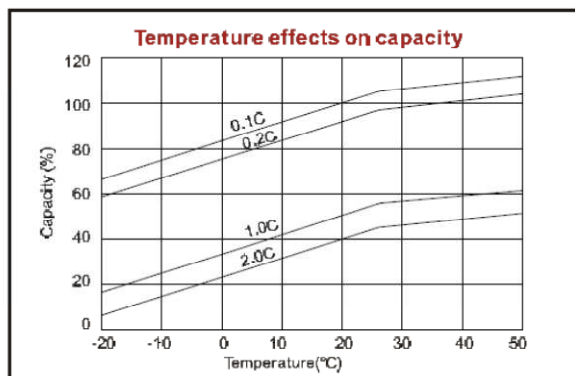
Floating Life at 20°C designed for 10 years

EAN: 4260123689551

## Dimensions



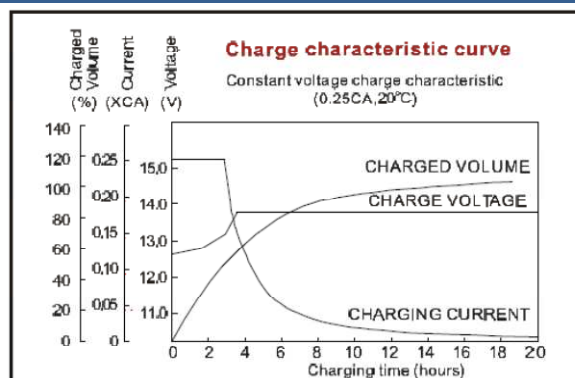
## Temperature Effects in Relation to Battery Capacity



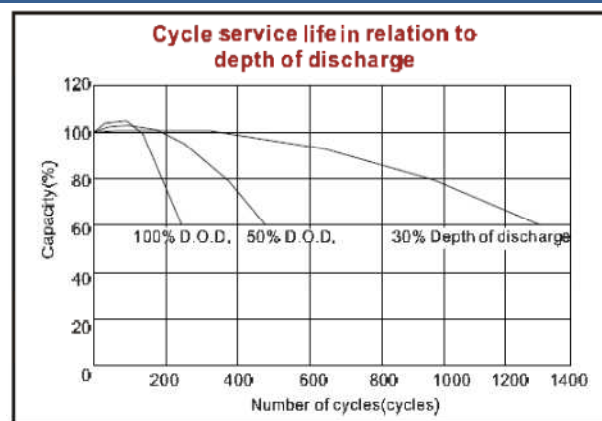
## Specifications

Nominal Voltage	12V	
Capacity (10hr@25°C@1.8V/C)	150Ah	
Dimensions	Length	548mm (21.6inch)
	Width	105mm (4.13inch)
	Height	316mm (12.4inch)
	Total Height	316mm (12.4inch)
Approx. Weight	48.8kg (107.7lbs)	
Maximum charging current	45A	
Maximum discharge current	1050A (5sec.)	
Internal resistance	Approx. 4.5mΩ	
Capacity affected by temperature (20hr)	40°C	103%
	25°C	100%
	0°C	86%
	-15°C	65%
Self-discharge (25°C)	3 month	Remaining Capacity: 91%
	6 month	Remaining Capacity: 82%
	12 month	Remaining Capacity: 65%
Nominal operating temperature	25°C ±3°C (77°F±5°F)	
Operating temperature range	-20°C ~ 55°C (-4°F ~ 131°F)	
Float charging voltage (25°C)	13.65 to 13.80V	
Cyclic charging voltage (25°C)	14.40 to 15.00V	
Terminal material	Copper	

## Float Charging Characteristics



## Cycle Life in Relation to Depth of Discharge



## Constant Current Discharge Characteristics (Ampere / Cell, 25°C)

F.V/TIME	10min	15min	30min	45min	1h	3h	5h	10h
1.60V/cell	310	270	178	137	111	47,1	30,2	15,4
1.70V/cell	260	233	164	129	106	45,3	29,0	15,2
1.80V/cell	210	195	149	120	99,9	43,4	27,8	15,0

## Constant Power Discharge Characteristics (Watt / Cell, 25°C)

F.V/TIME	10min	15min	30min	45min	1h	3h	5h	10h
1.60V/cell	498	432	298	230	190	88,1	57,6	29,6
1.70V/cell	460	407	286	223	186	86,3	56,5	29,2
1.80V/cell	420	381	273	215	181	84,3	55,3	28,8