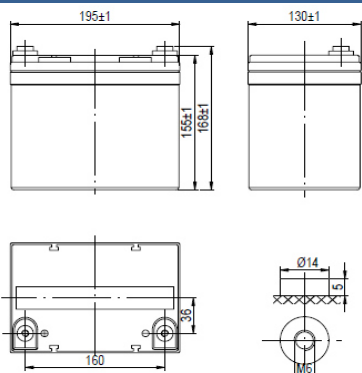


RPower OGiV12330LP (12V 33Ah AGM Battery)

Floating Life at 20°C designed for 10-12 years

EAN: 4260349823340

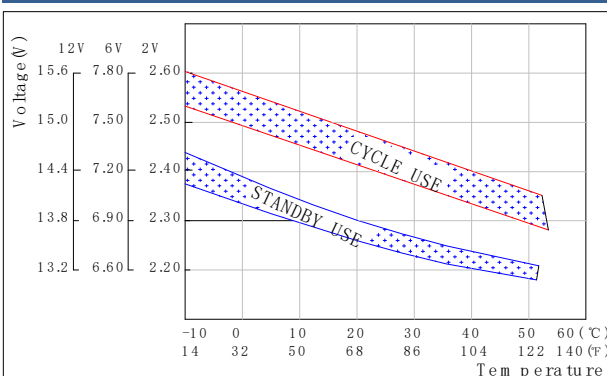
Dimensions



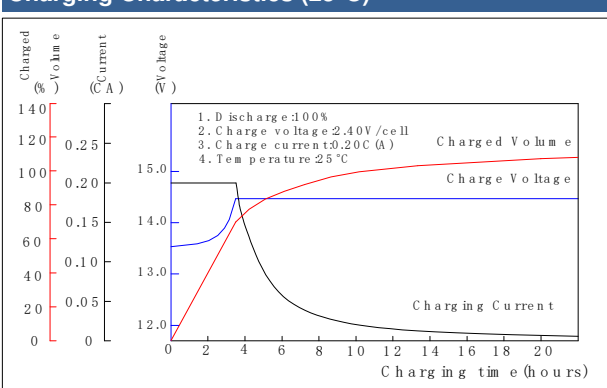
Specifications

Nominal Voltage		12V
Capacity (10hr@25°C@1.80V/C)		33Ah
Dimensions	Length	195mm (7.68inch)
	Width	130mm (5.12inch)
	Height	155mm (6.10inch)
	Total Height	168mm (6.61inch)
Approx. Weight		9.70kg (21.38lbs)
Maximum charging current		9.90A
Maximum discharge current		330A (5sec.)
Internal resistance		Approx. 12mΩ
Capacity affected by temperature (20hr)	40°C	103%
	25°C	100%
	0°C	86%
	-15°C	65%
Self-discharge (25°C)	3 month	Remaining Capacity: 91%
	6 month	Remaining Capacity: 82%
	12 month	Remaining Capacity: 65%
Nominal operating temperature		25°C ±3°C (77°F±5°F)
Operating temperature range		-20°C~55°C (-4°F~131°F)
Float charging voltage (25°C)		13.65 to 13.80V
Cyclic charging voltage (25°C)		14.40 to 15.00V
Terminal material		Copper

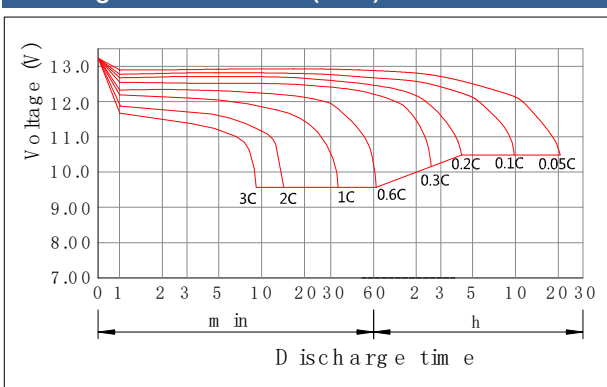
The Relationship for Charging Voltage and Temperature



Charging Characteristics (25°C)



Discharge Characteristics (25°C)



Constant Current Discharge Characteristics (Ampere / Battery, 25°C)

FV / TIME	5min	10min	15min	20min	30min	45min	1h	2h	3h	4h	5h	6h	8h	10h	20h
10.98V	56,55	49,86	43,46	38,02	27,94	23,67	19,21	10,48	7,93	6,25	5,34	4,61	3,57	3,20	1,63
10.80V	58,30	51,40	44,80	39,20	28,80	24,40	19,80	10,80	8,18	6,44	5,50	4,75	3,68	3,30	1,68
10.50V	64,40	56,10	47,80	40,50	29,80	25,10	20,30	11,20	8,25	6,52	5,58	4,83	3,78	3,31	1,69
10.20V	66,10	60,00	51,40	43,80	30,40	26,30	21,20	11,60	8,45	6,90	6,15	5,15	3,95	3,32	1,71
9.90V	75,60	65,00	54,10	44,20	31,30	27,30	21,90	11,80	8,97	7,21	6,25	5,22	4,00	3,35	1,72
9.60V	82,50	69,30	57,40	46,50	32,60	27,70	22,30	11,90	9,08	7,29	6,30	5,30	4,02	3,36	1,74

Constant Power Discharge Characteristics (Watt / Battery, 25°C)

FV / TIME	5min	10min	15min	20min	30min	45min	1h	2h	3h	4h	5h	6h	8h	10h	20h
10.98V	568,61	540,68	517,98	442,32	325,92	241,53	222,91	122,22	88,46	73,33	64,02	53,37	42,20	38,59	20,49
10.80V	586,20	557,40	534,00	456,00	336,00	249,00	229,80	126,00	91,20	75,60	66,00	55,02	43,50	39,78	21,12
10.50V	700,80	624,00	552,00	471,60	348,00	255,00	234,60	130,80	96,00	76,20	67,80	55,92	44,70	39,90	21,24
10.20V	748,20	660,00	574,20	510,00	360,00	261,00	239,40	135,60	100,80	81,00	69,00	59,64	46,68	40,02	21,48
9.90V	802,80	696,00	591,60	514,20	370,20	265,20	243,00	138,60	103,80	84,60	71,40	60,42	47,28	40,38	21,60
9.60V	870,00	732,00	600,00	541,20	391,80	273,00	245,40	139,80	104,40	85,20	73,20	61,38	47,52	40,50	21,84